

I PORT CONNECT PRO

BASESTATION



72352 - BaseStation - Black
72353 - BaseStation - White

BASESTATION

I PORT CONNECT PRO BaseStation Install Manual

Thank you for purchasing the all new IPORT CONNECT Platform. We hope you enjoy this revolutionary new system and if at any time you need more assistance please contact IPORT Tech Support via Online chat or through our help desk online.

- IPORT Team

Whats in box:

- 1 - IPORT CONNECT BaseStation
- 1 - IPORT Power Supply - 25V 1.5A DC. 2.1 mm x 5.5 mm connector.
- 4 - Mounting Screws
- 1 - IPORT Security Tool
- 1 - Info Card

Product Info Page - www.iportproducts.com/cpbase

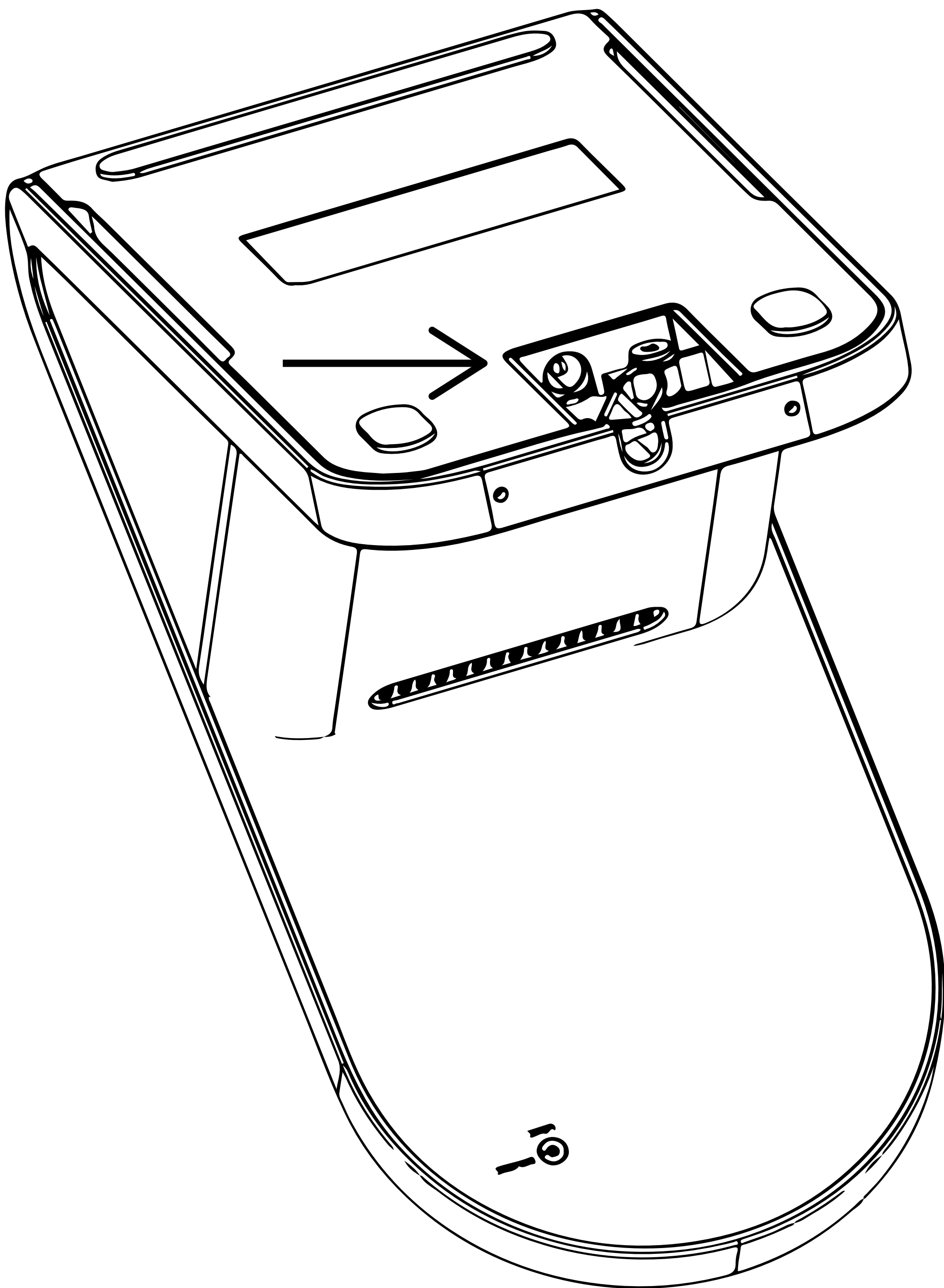
Glossary of Terms:

- **BaseStation** - The main mounting station on a solid surface where the IPORT CONNECT Case mounts and charges.
- **Security Weight** - The bottom removable portion of the BaseStation which can be secured to a table or desk.
- **BaseStation Cable Housing** - The removable plastic DC cover.
- **Cable Retention Clip** - The small metal clip on the bottom of the BaseStation used to hold the DC or Cat 5 Cable in place.
- **BaseStation Security Lock** - The small round lock on the back of the BaseStation used to actuate the lock to secure the Case to the BaseStation.

BASESTATION

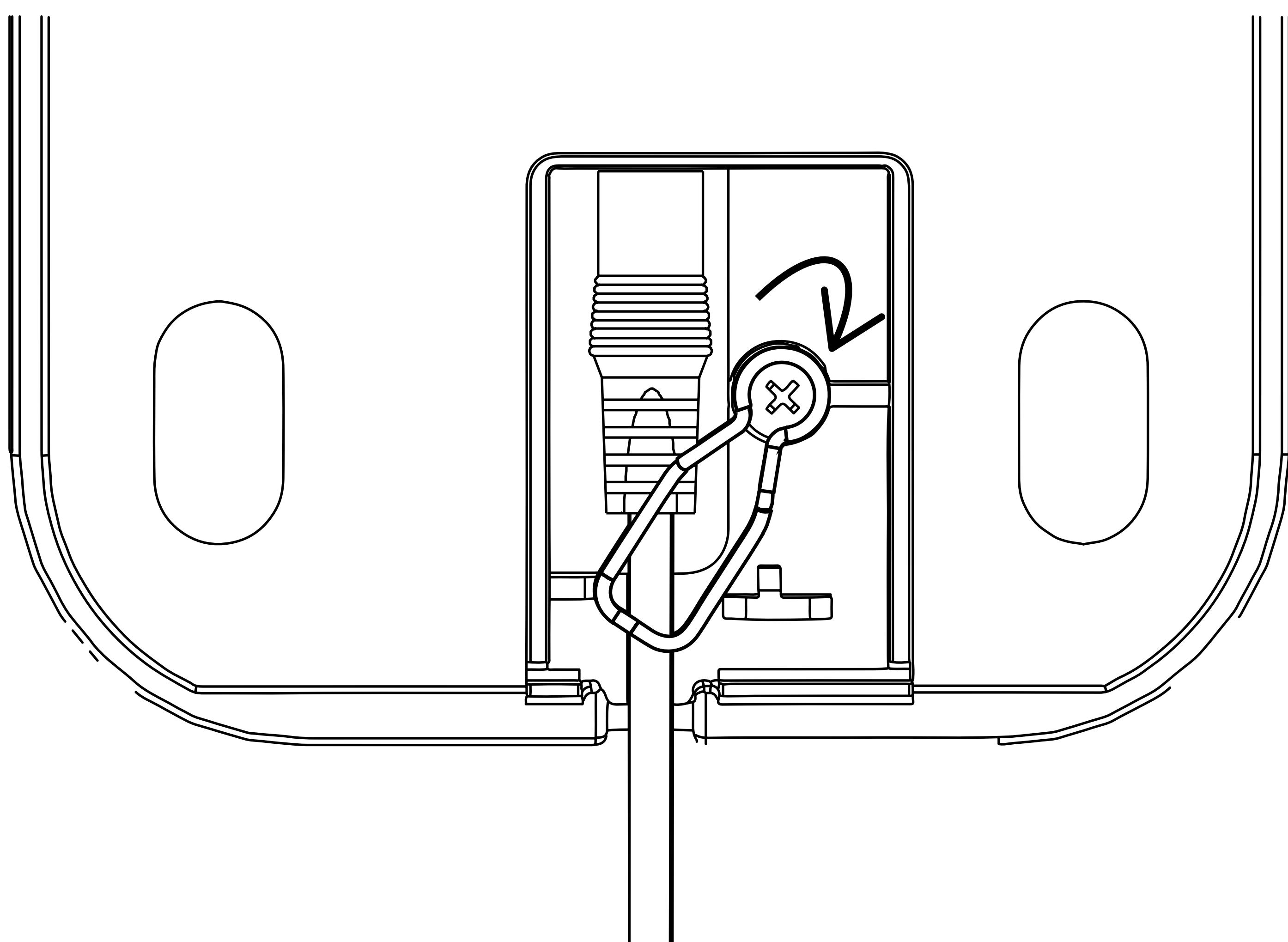
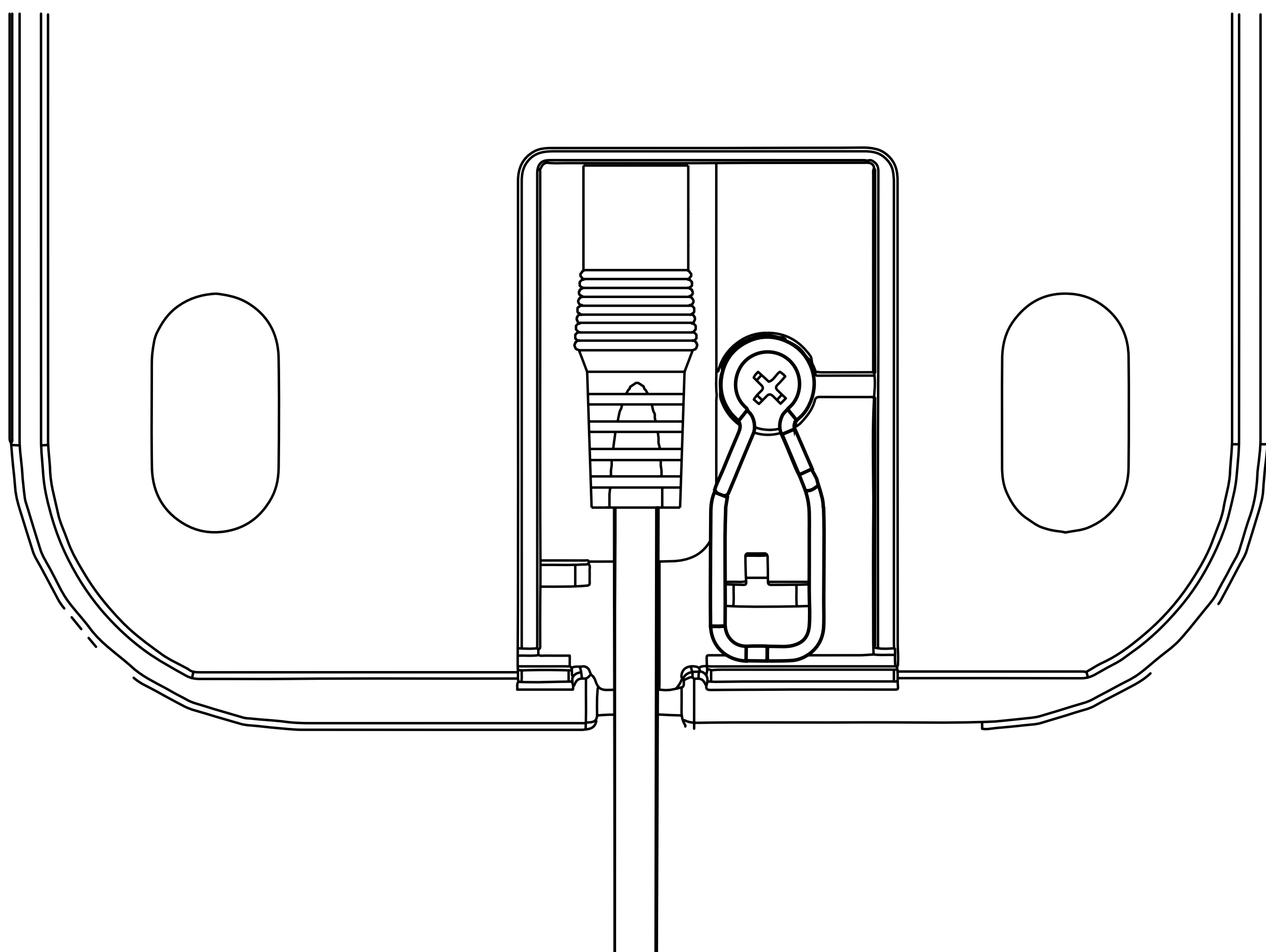
Using the Provided DC Power Adapter

- 1. Remove BaseStation and Power Supply from the box and place on a table.**
- 2. Insert the DC barrel plug into the bottom of the BaseStation.**



BASESTATION

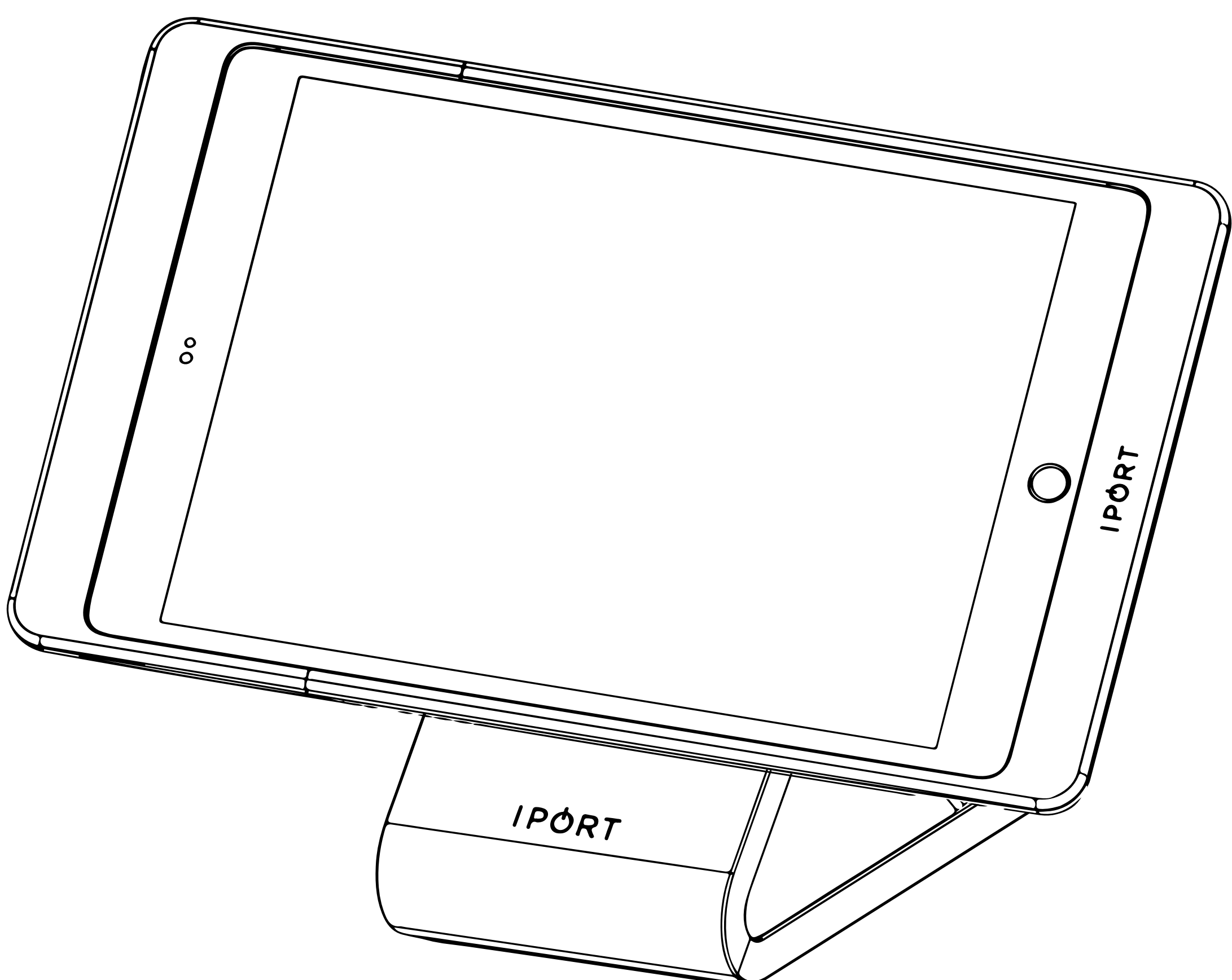
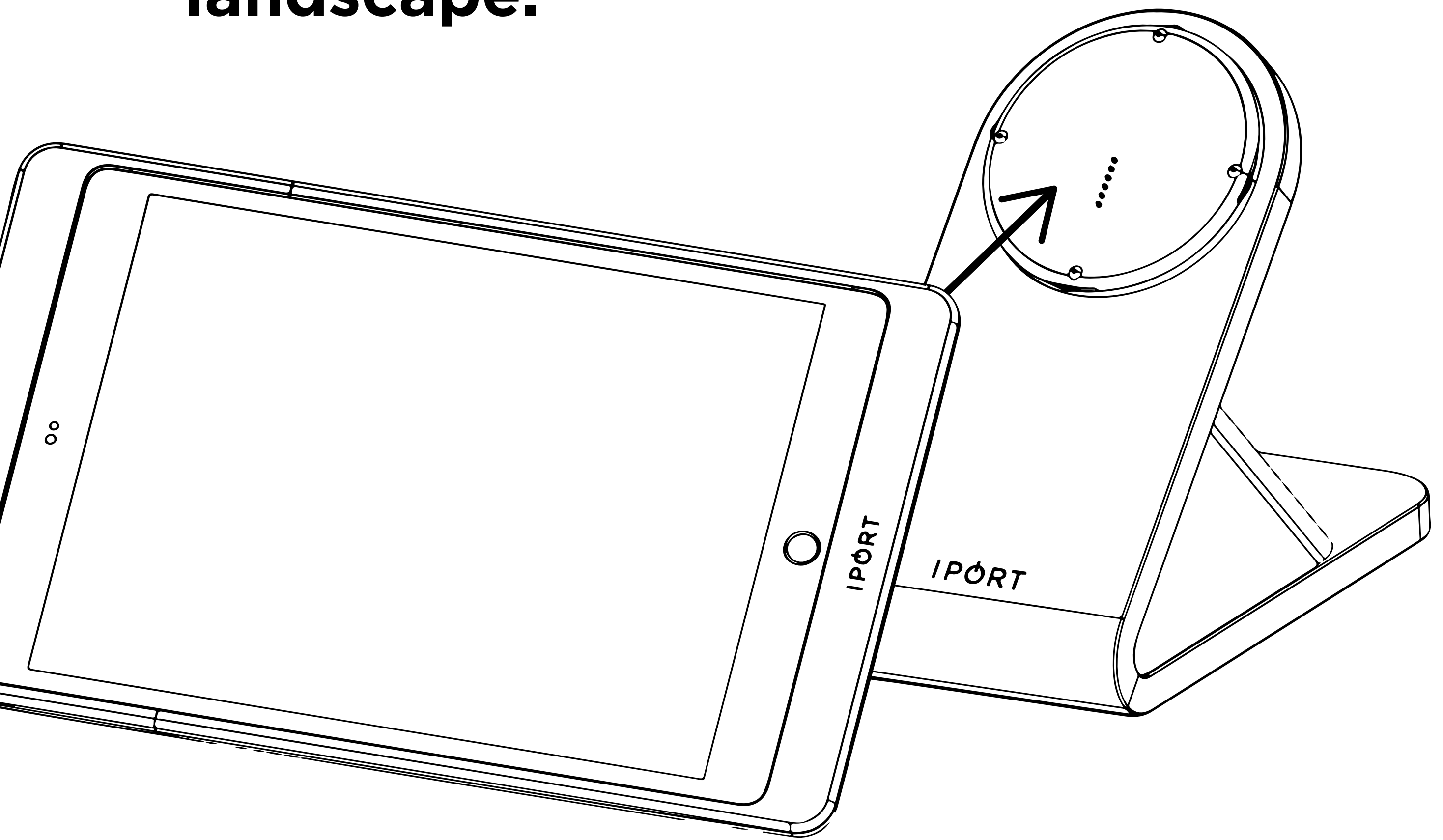
- 3. Rotate the Cable retention clip over the DC cable.**



IPORT CONNECT PRO

BASESTATION

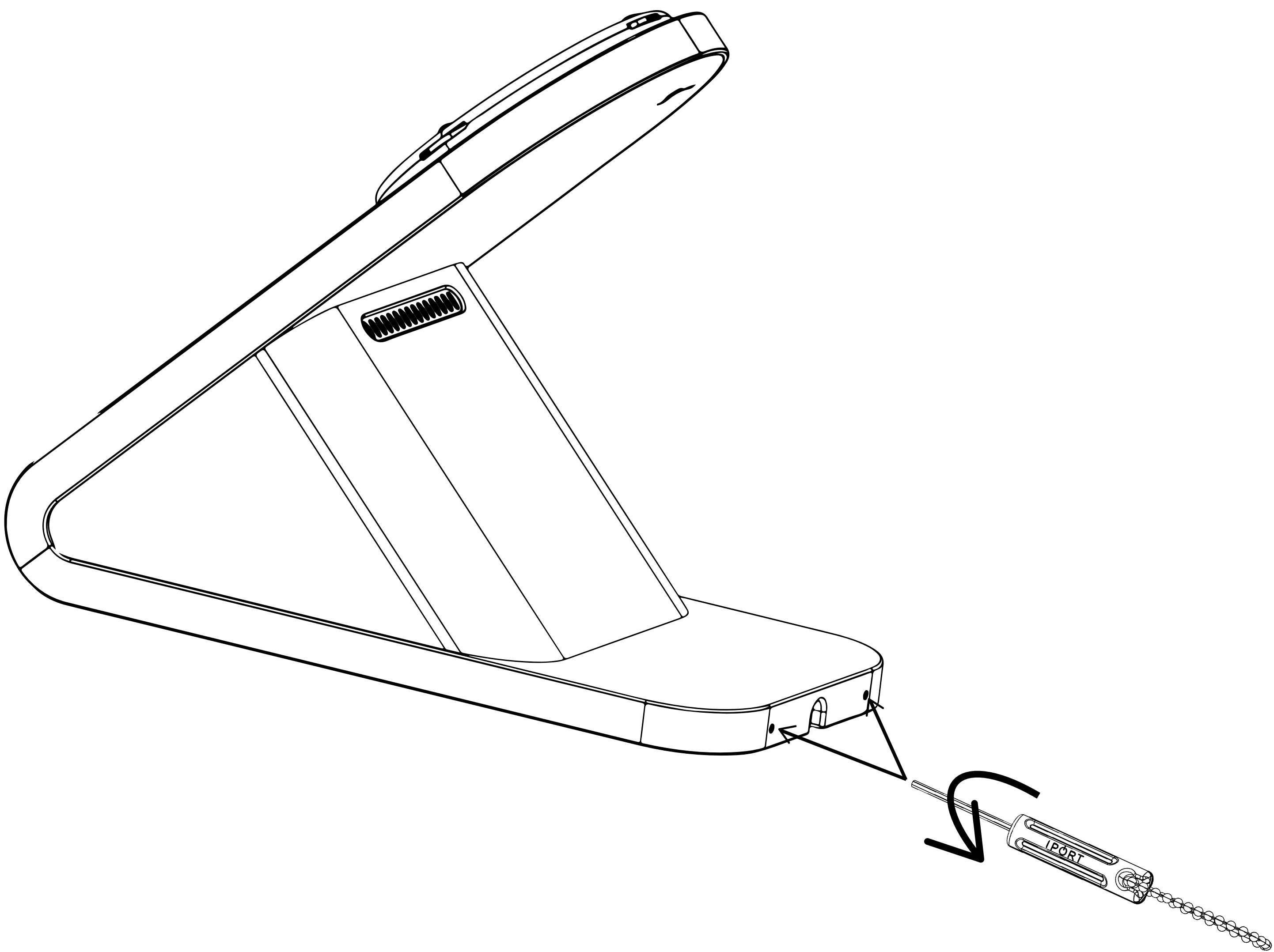
- 4. Plug in the IPORT DC Power Adapter into the wall.**
- 5. Place the BaseStation in the desired location and attach the IPORT CONNECT PRO Case onto the BaseStation to charge in portrait or landscape.**



BASESTATION

Upgrading the BaseStation to PoE

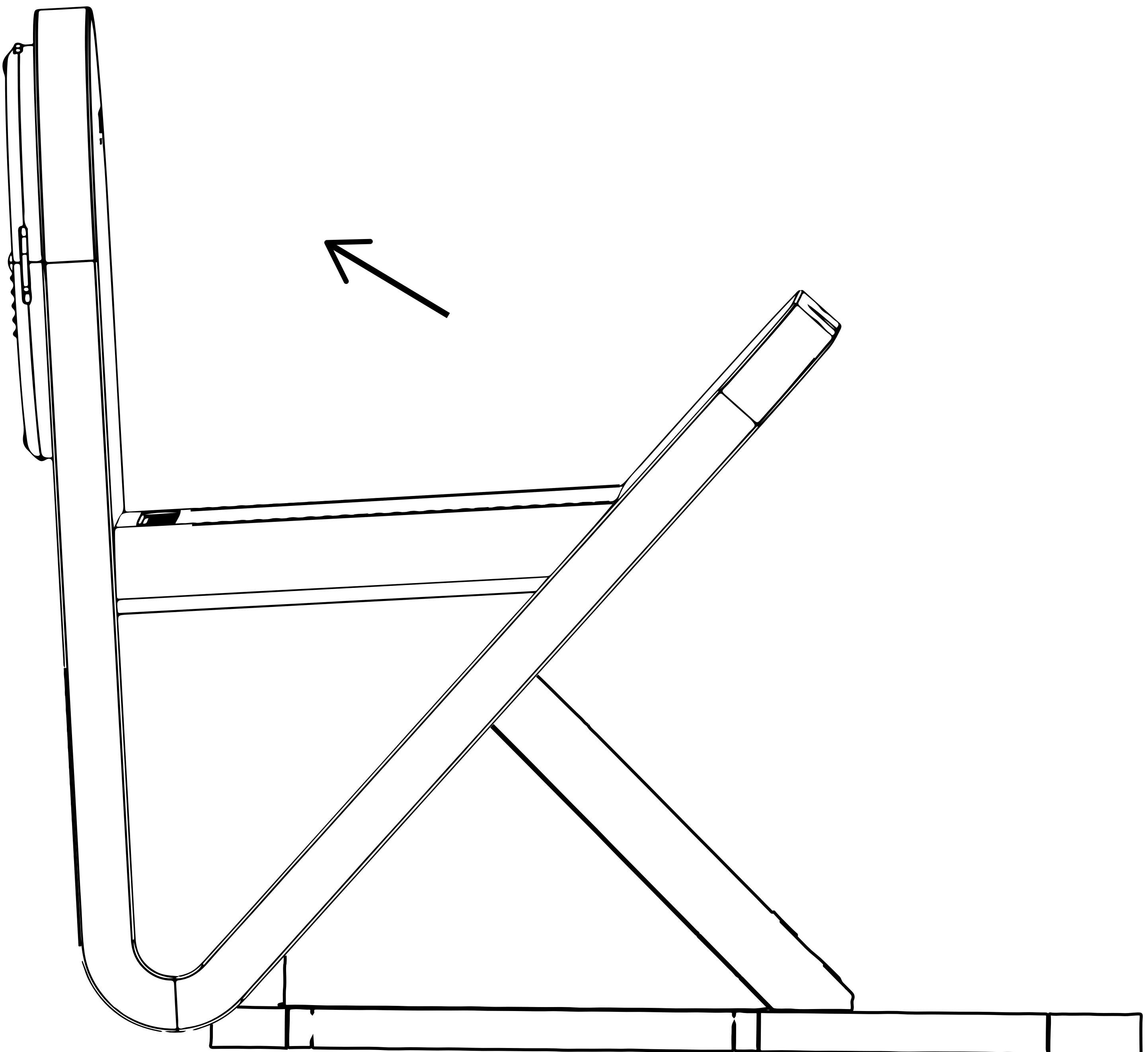
- 1. Remove PoE+ Upgrade from the box and place on a table.**
- 2. Insert the IPORT Security Tool into the small holes in the back of the BaseStation foot. Rotate the tool counterclockwise until it stops. Repeat for the second hole.**



BASESTATION

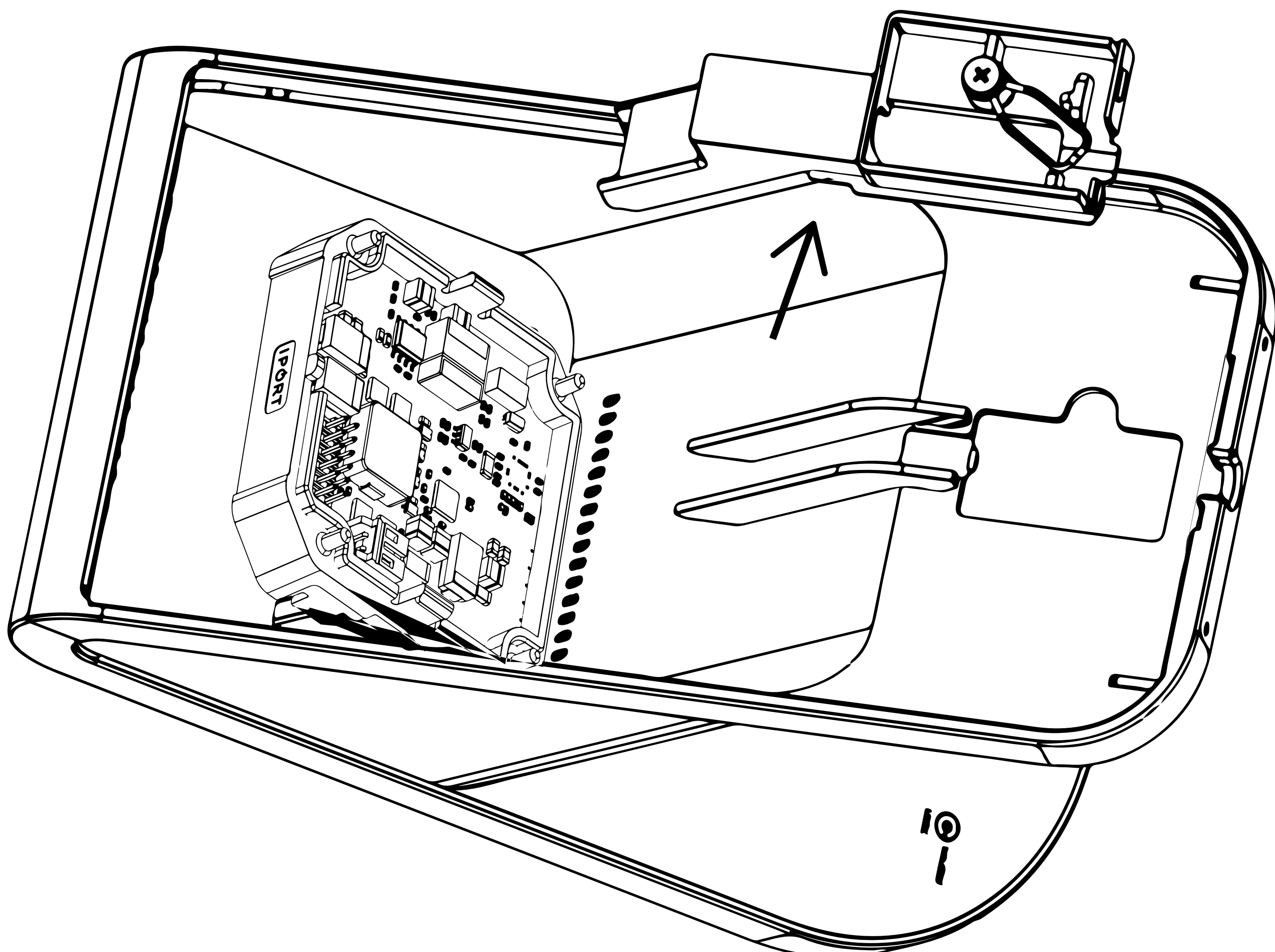
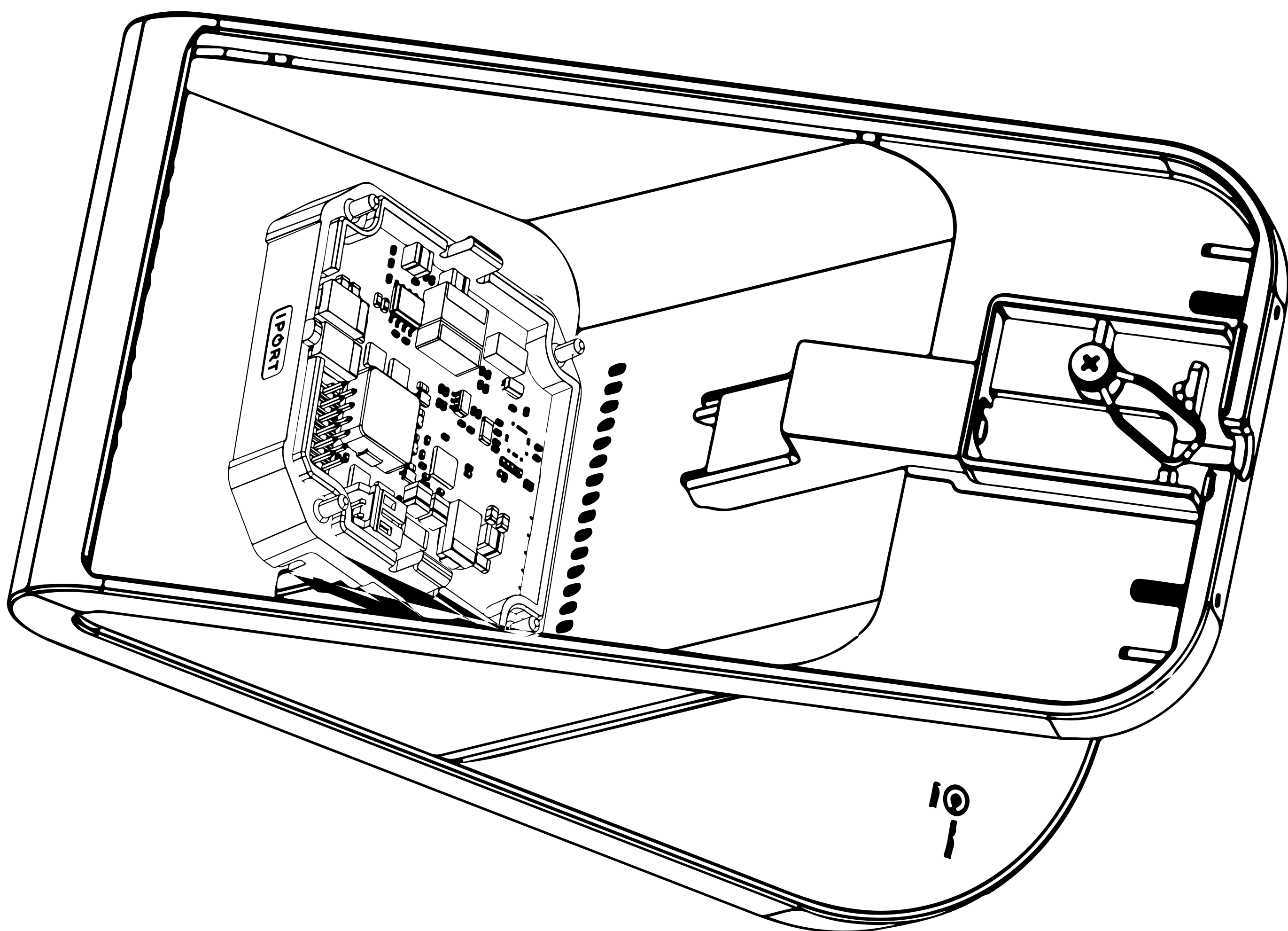
- 3. Tilt the BaseStation forward to allow the BaseStation weight to come out of the bottom of the BaseStation.**

Use caution as the BaseStation weight is very heavy.



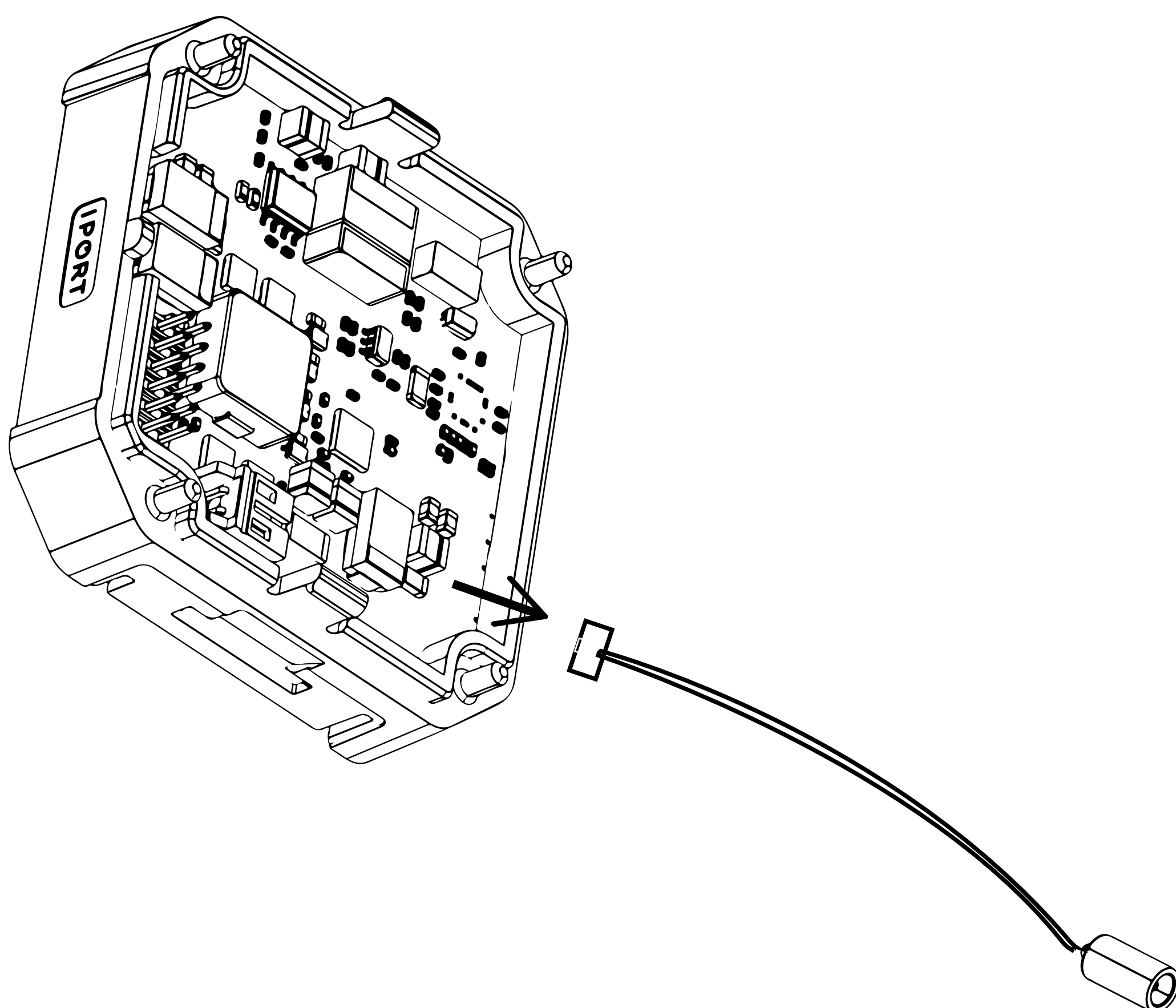
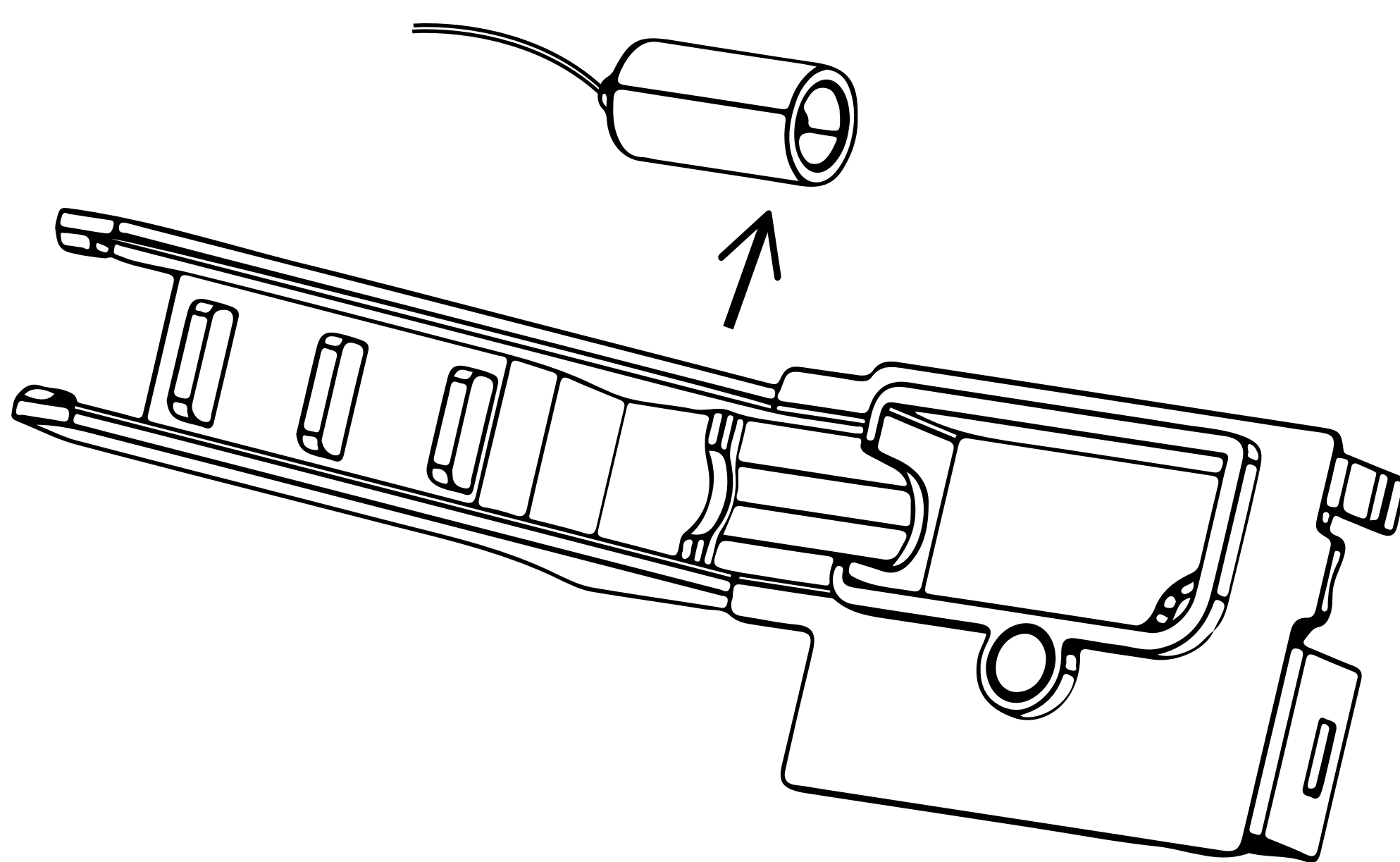
BASESTATION

4. **Disconnect the DC Barrel cable if installed and pop out the BaseStation Cable Housing cover.**



BASESTATION

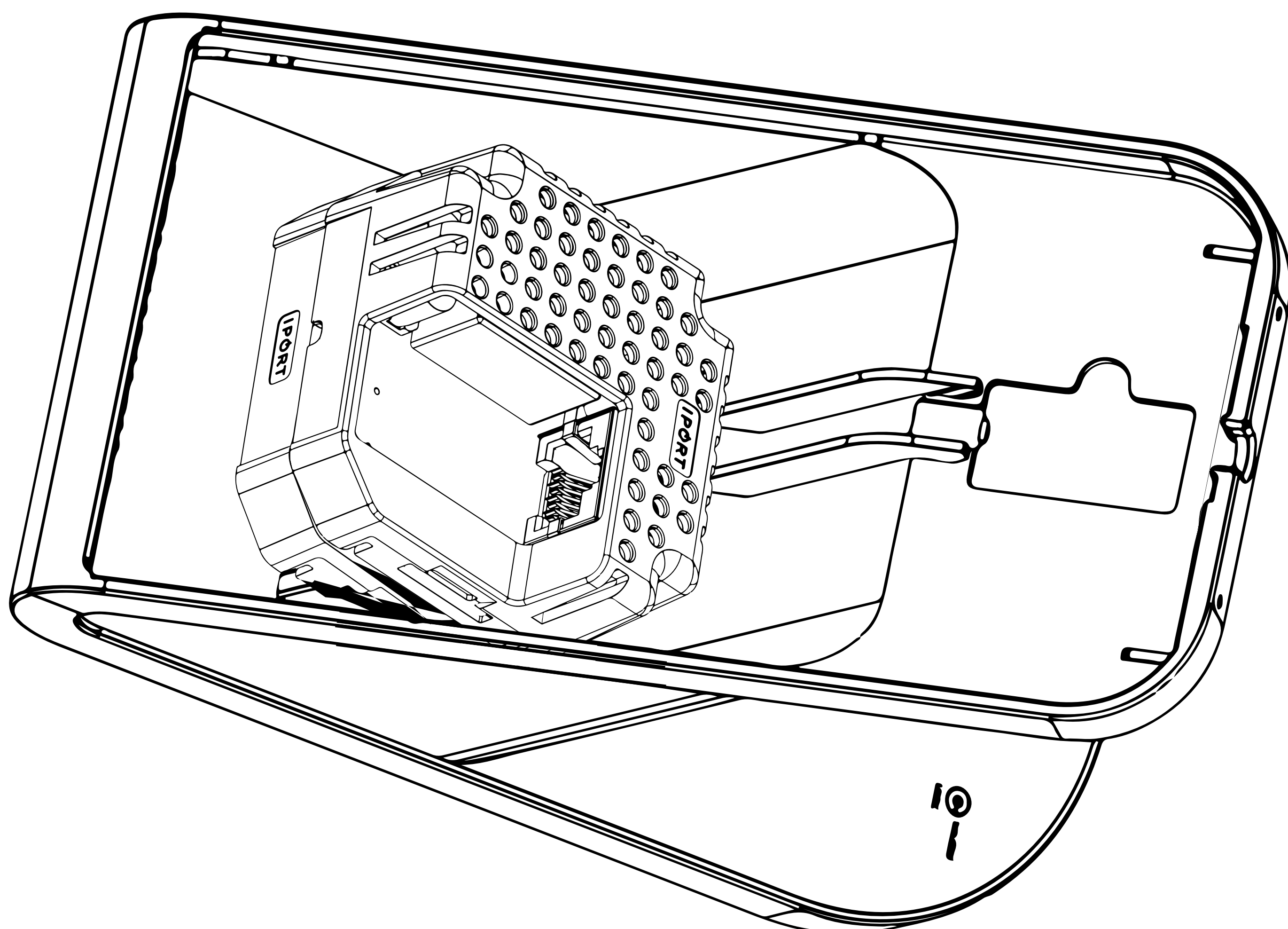
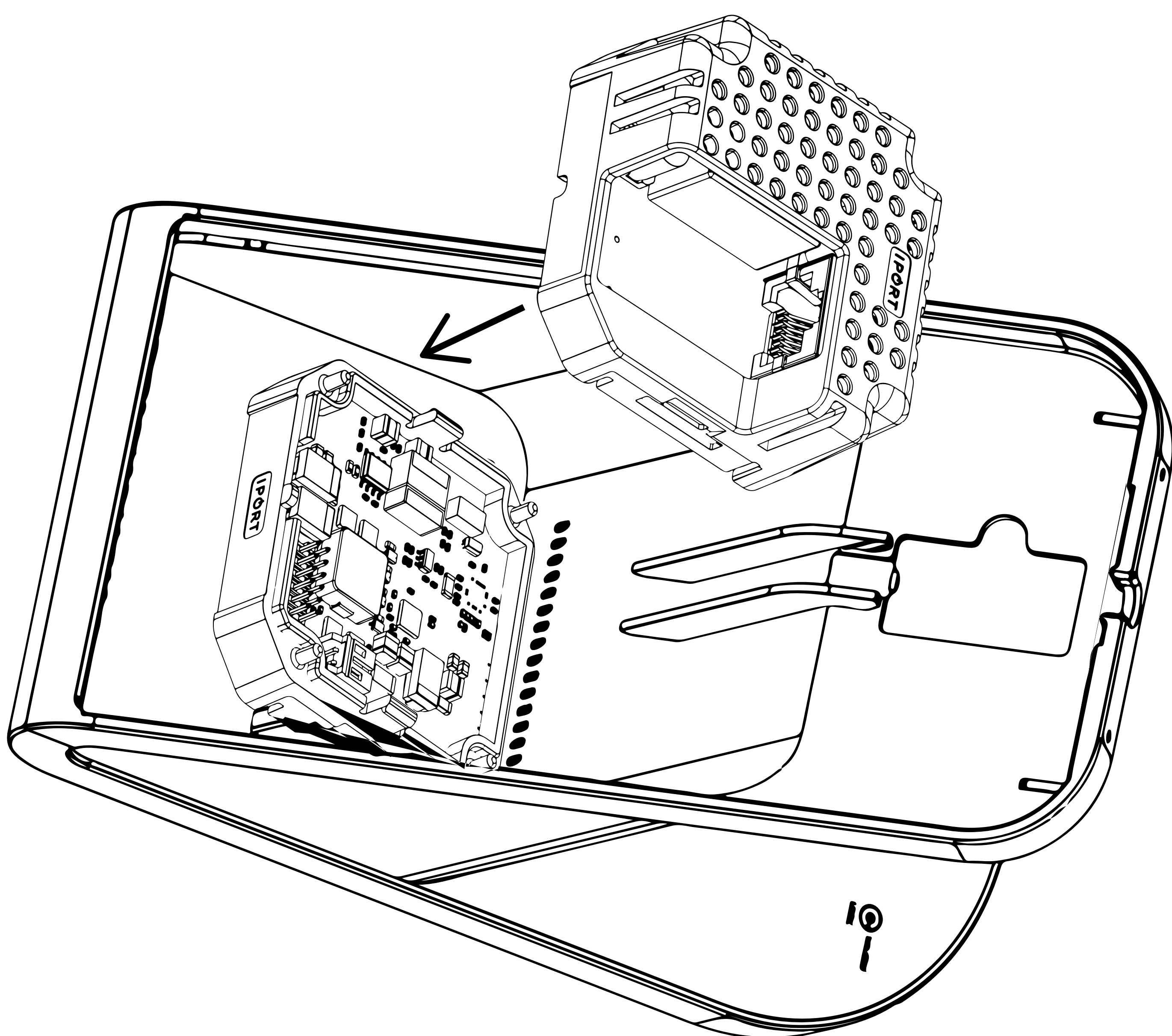
- 5. Remove the DC Barrel cable from the BaseStation Cable Housing and disconnect the cable from the IPORT DC Adapter.**



I^oPORT CONNECT PRO

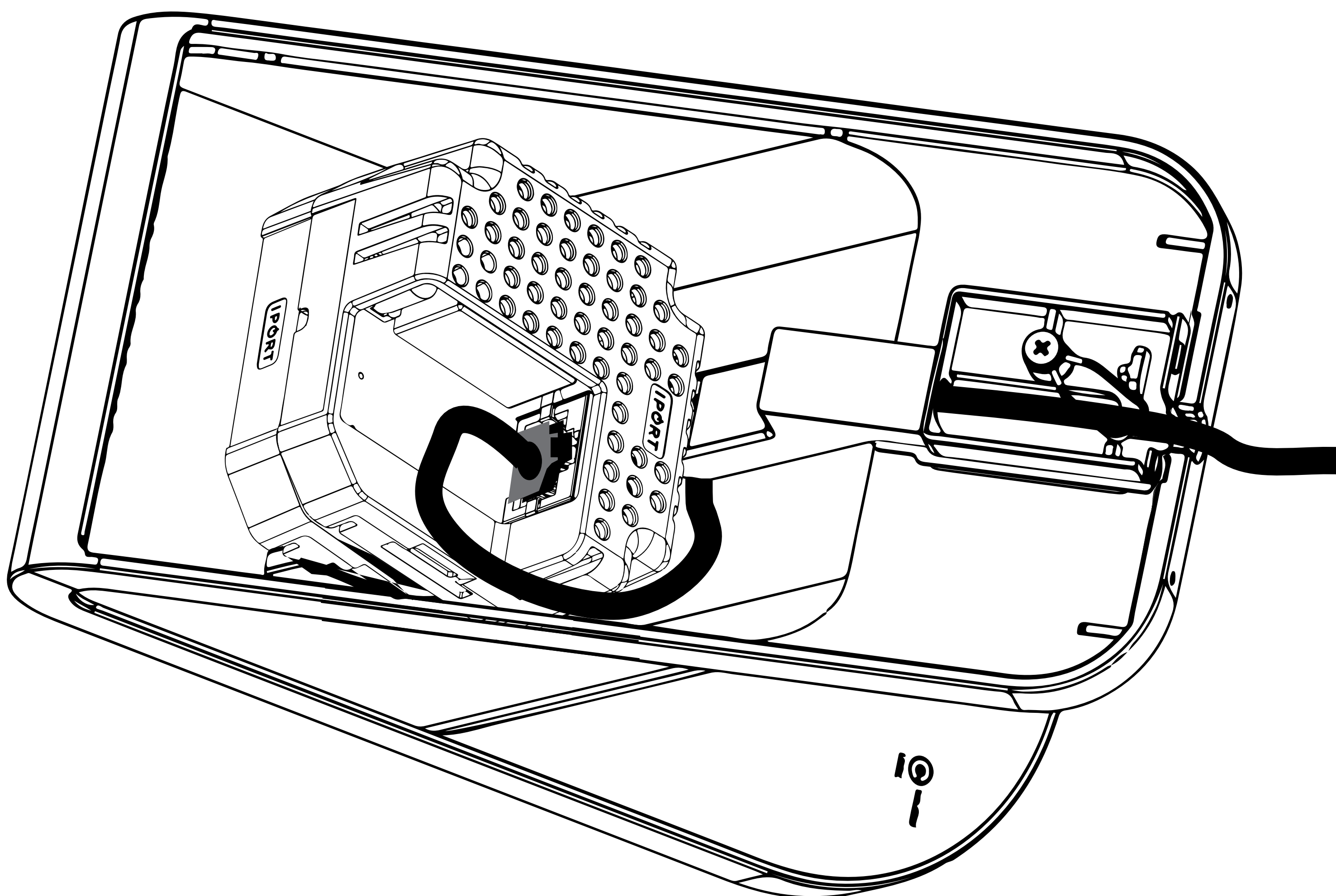
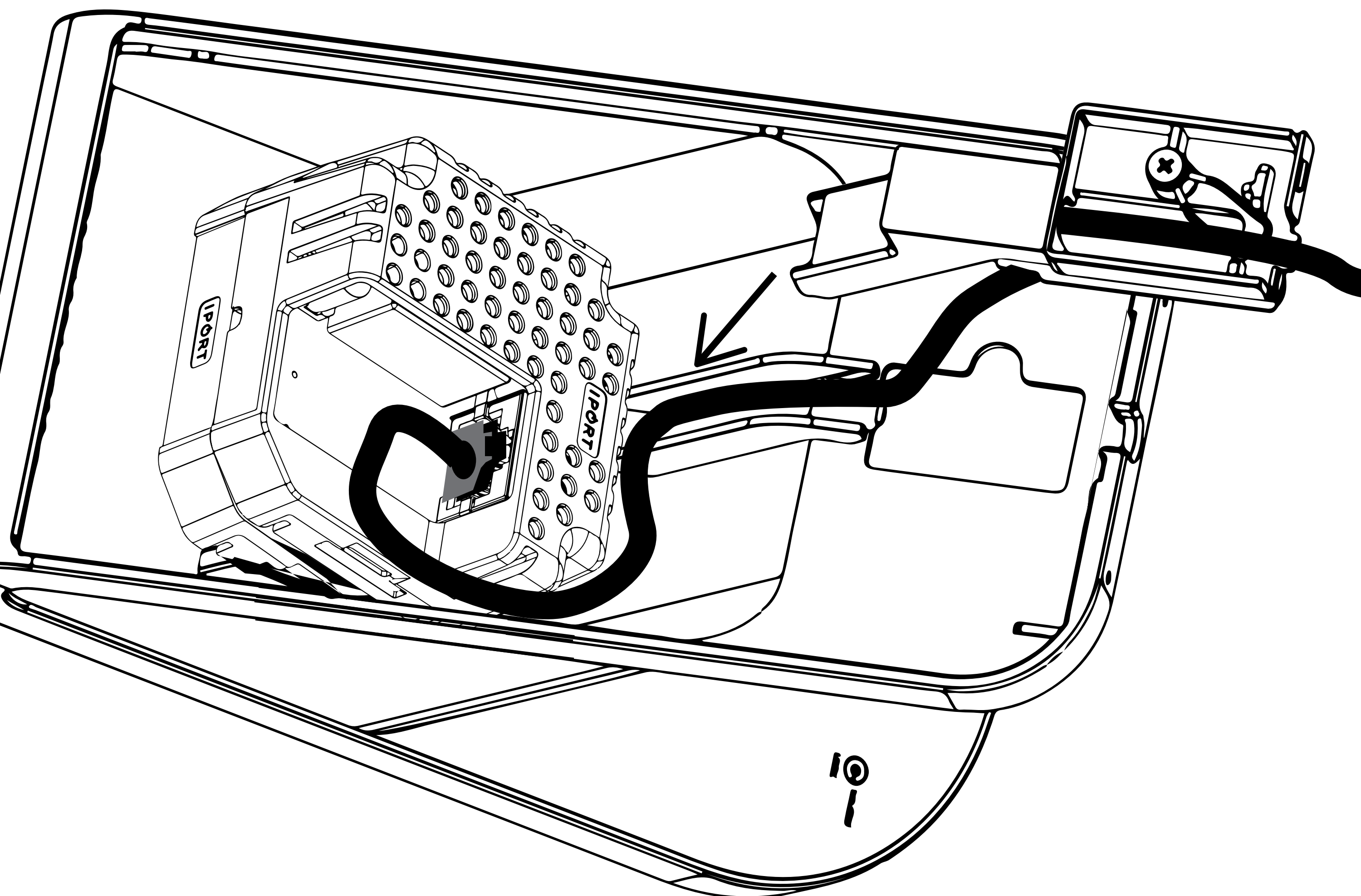
BASESTATION

- 6. Attach the IPORT CONNECT PoE+ Upgrade Adapter to the IPORT DC Adapter as shown:**



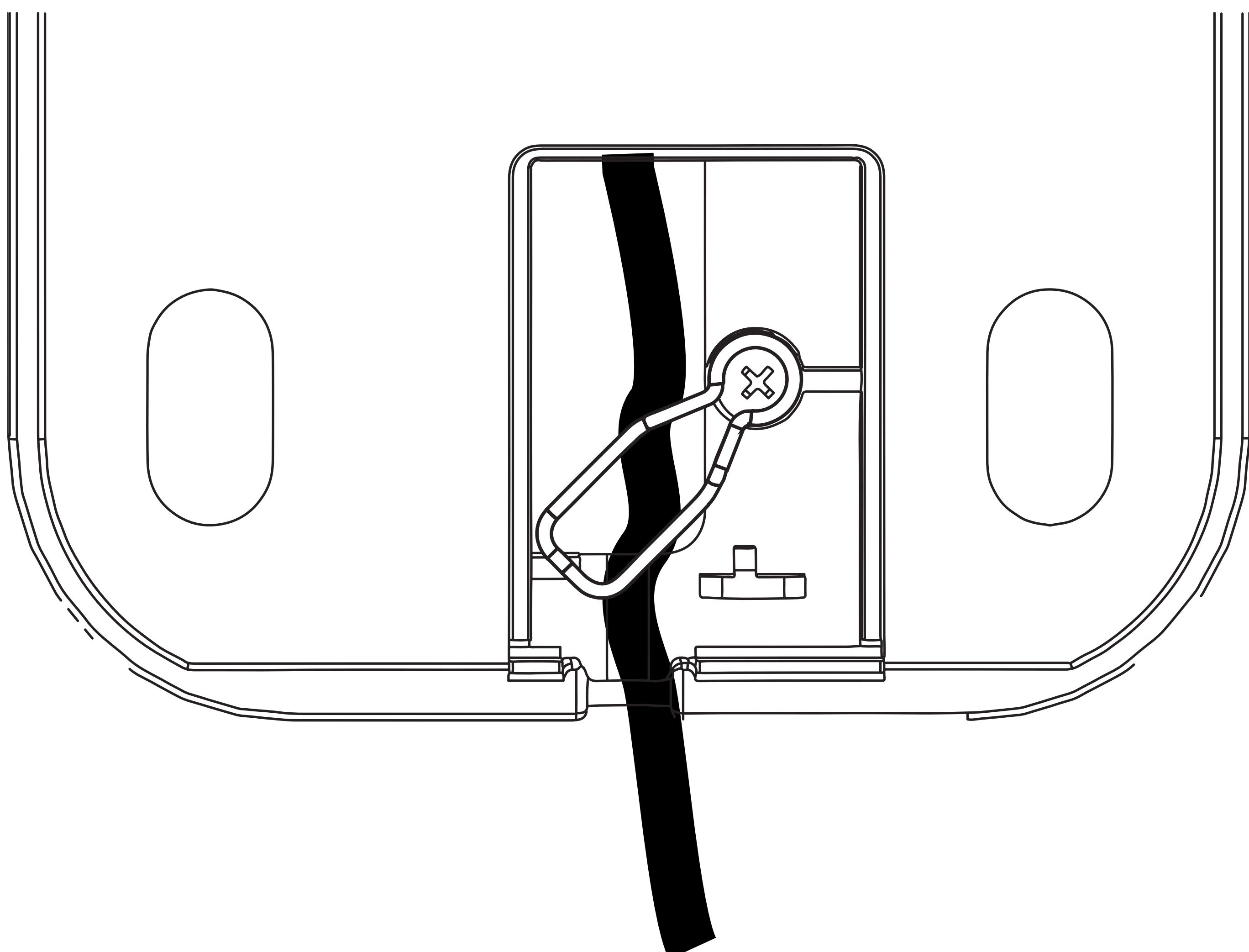
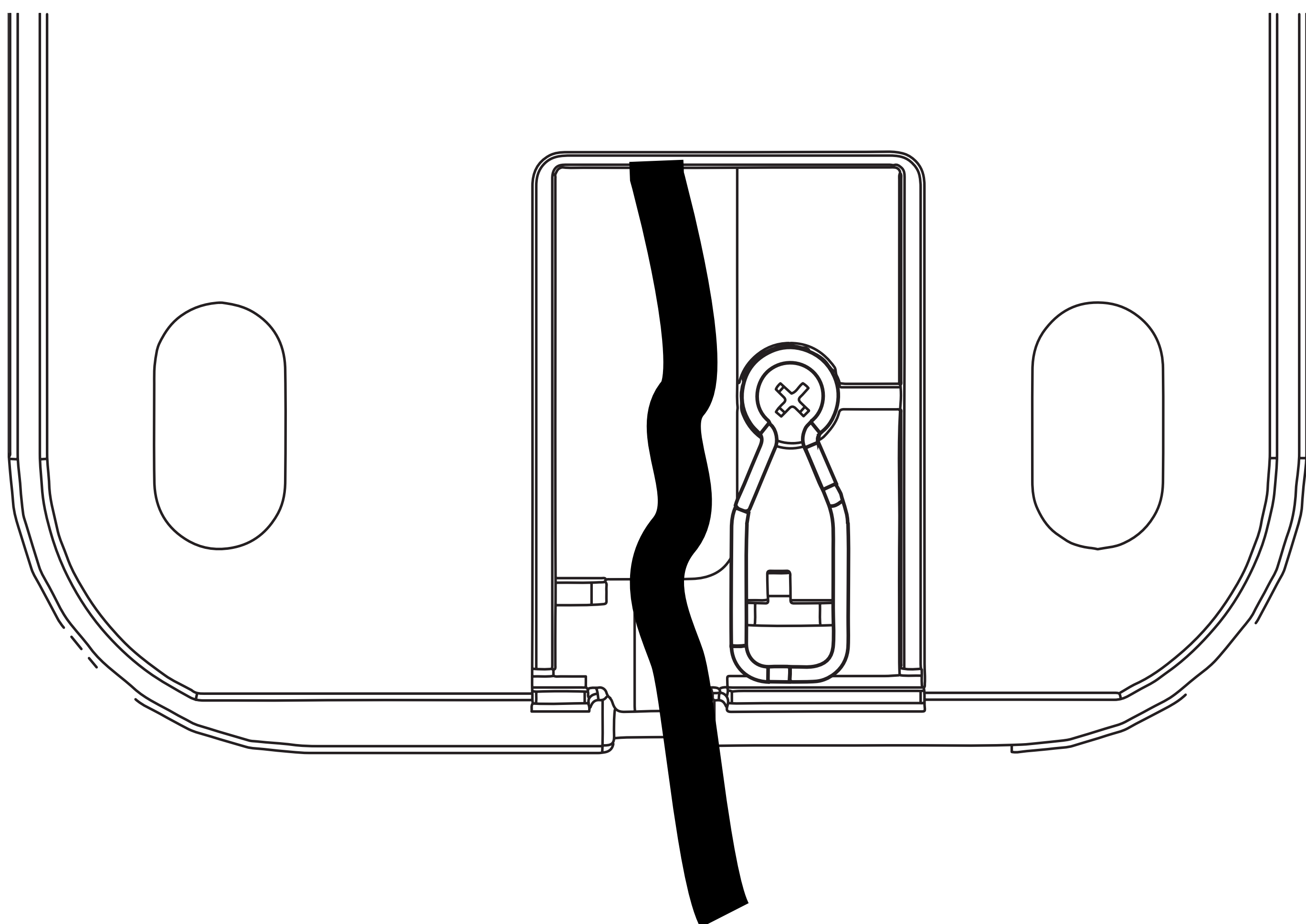
BASESTATION

7. Run a Cat 5 Cable through the cable housing and attach to the PoE + Splitter.



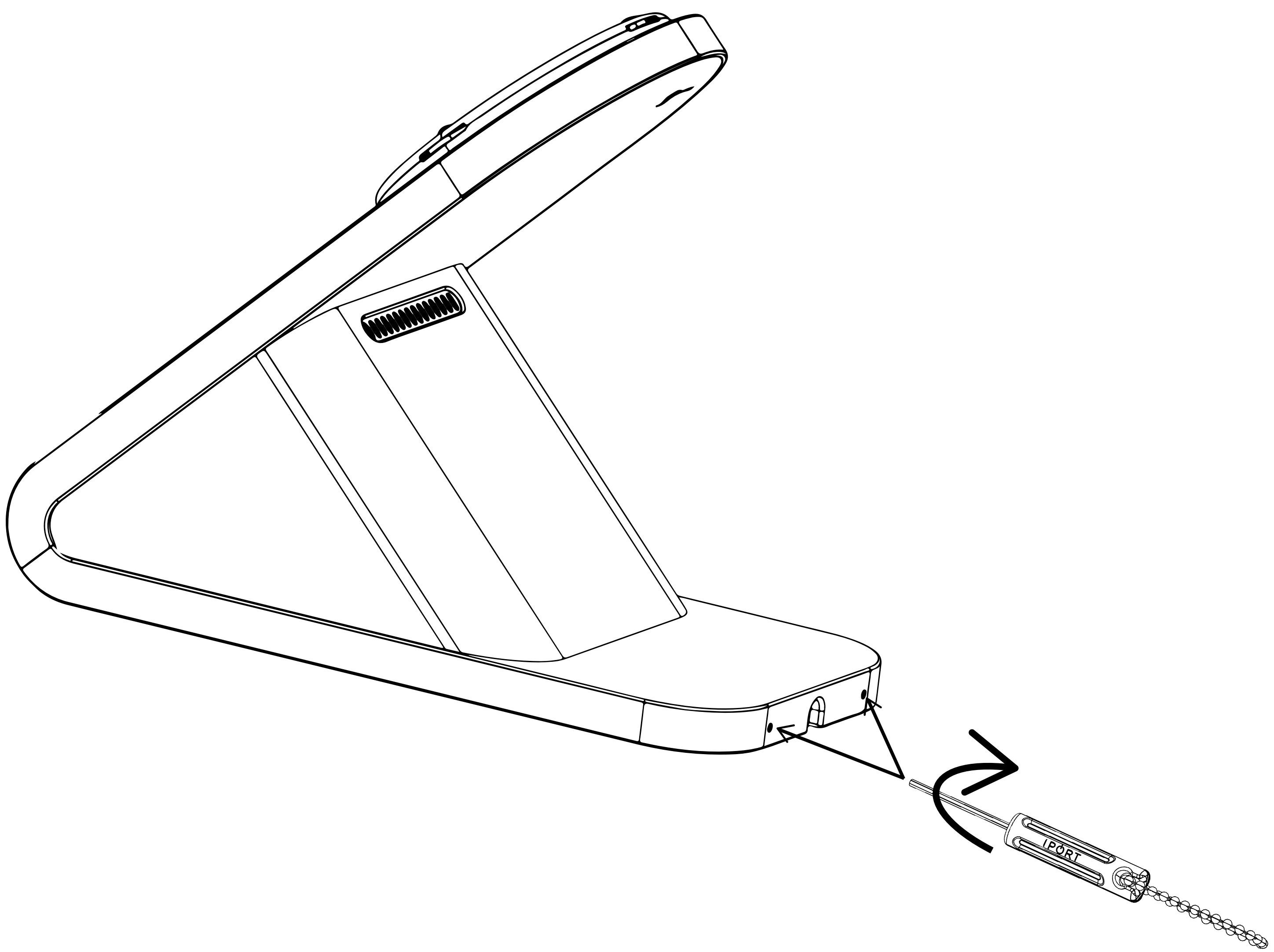
BASESTATION

- 7. Run the Cat 5 cable in the Cable Retention Channel and rotate the Cable Retention clip over the Cat 5 Cable.**



BASESTATION

8. Reassemble the BaseStation back onto the BaseStation Weight and tighten the Security Screws rotating clockwise.

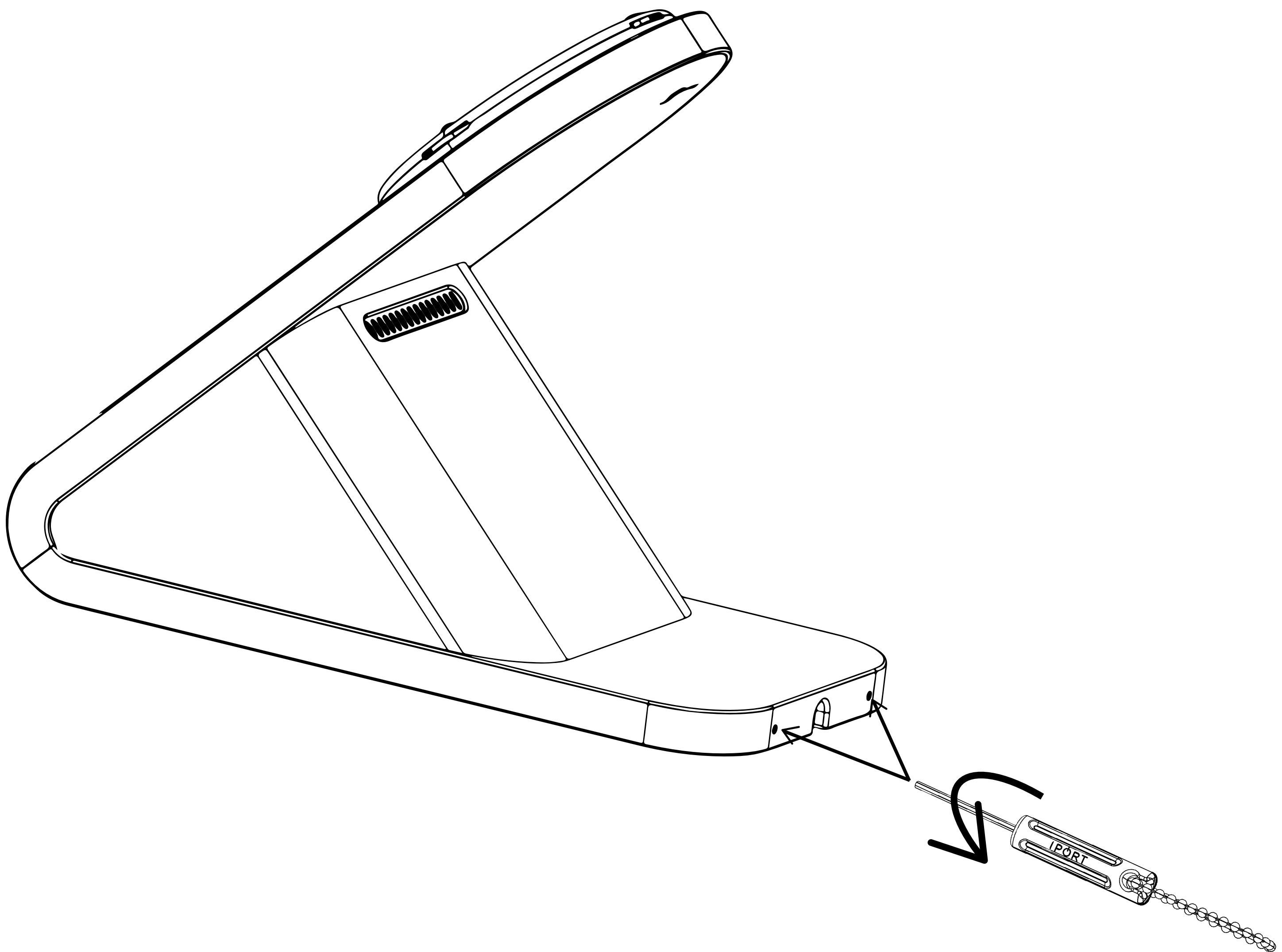


9. Connect the other end of the Cat 5 Cable to a PoE+ Switch or an IPORT PoE Injector 72106 (sold separate).

BASESTATION

BaseStation Security Features - Securing the Base to a Table.

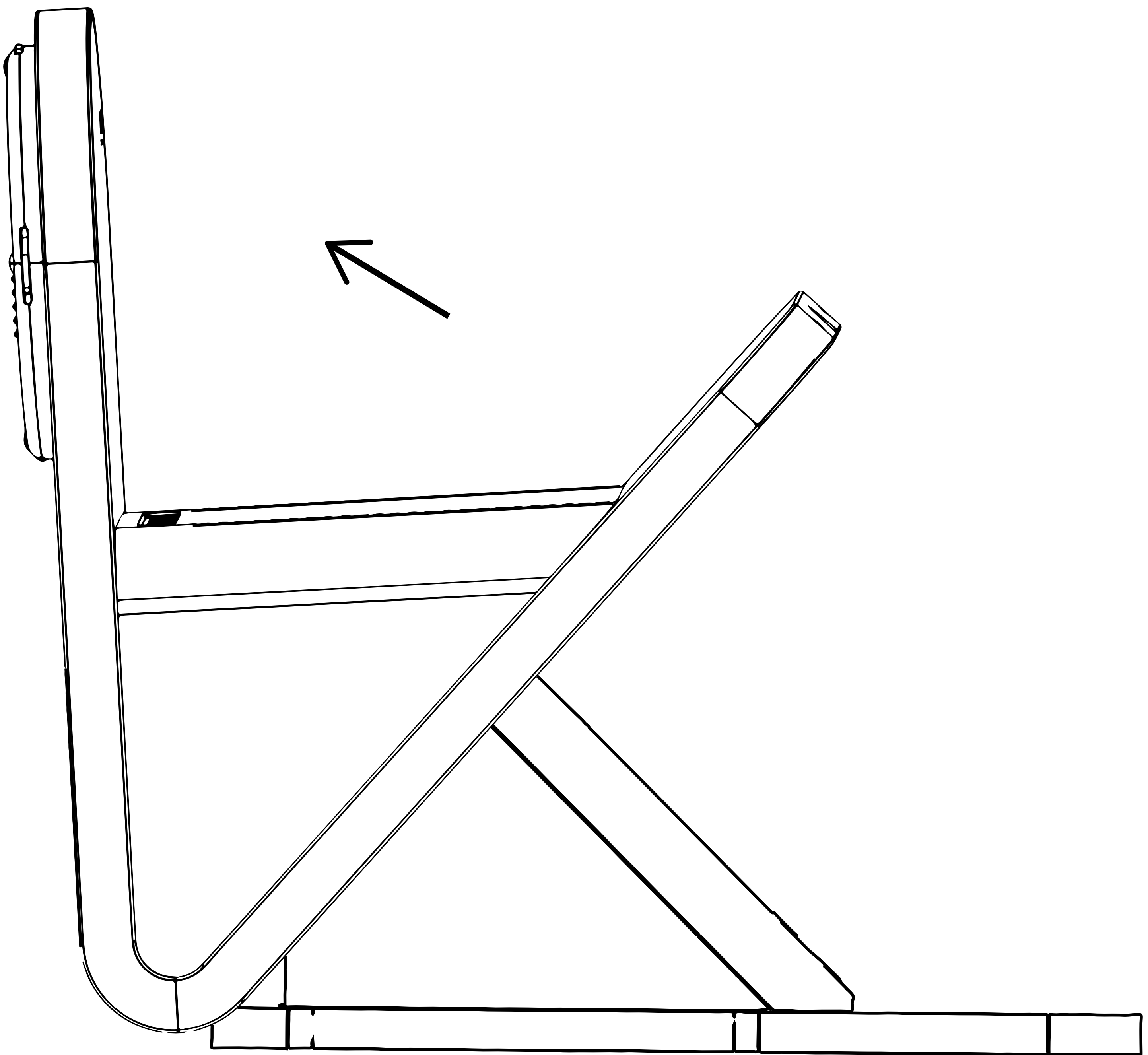
- 1. Remove BaseStation from the box and place on a table.**
- 2. Insert the IPORT Security Tool into the small holes in the back of the BaseStation foot. Rotate the tool counterclockwise until it stops. Repeat for the second hole.**



BASESTATION

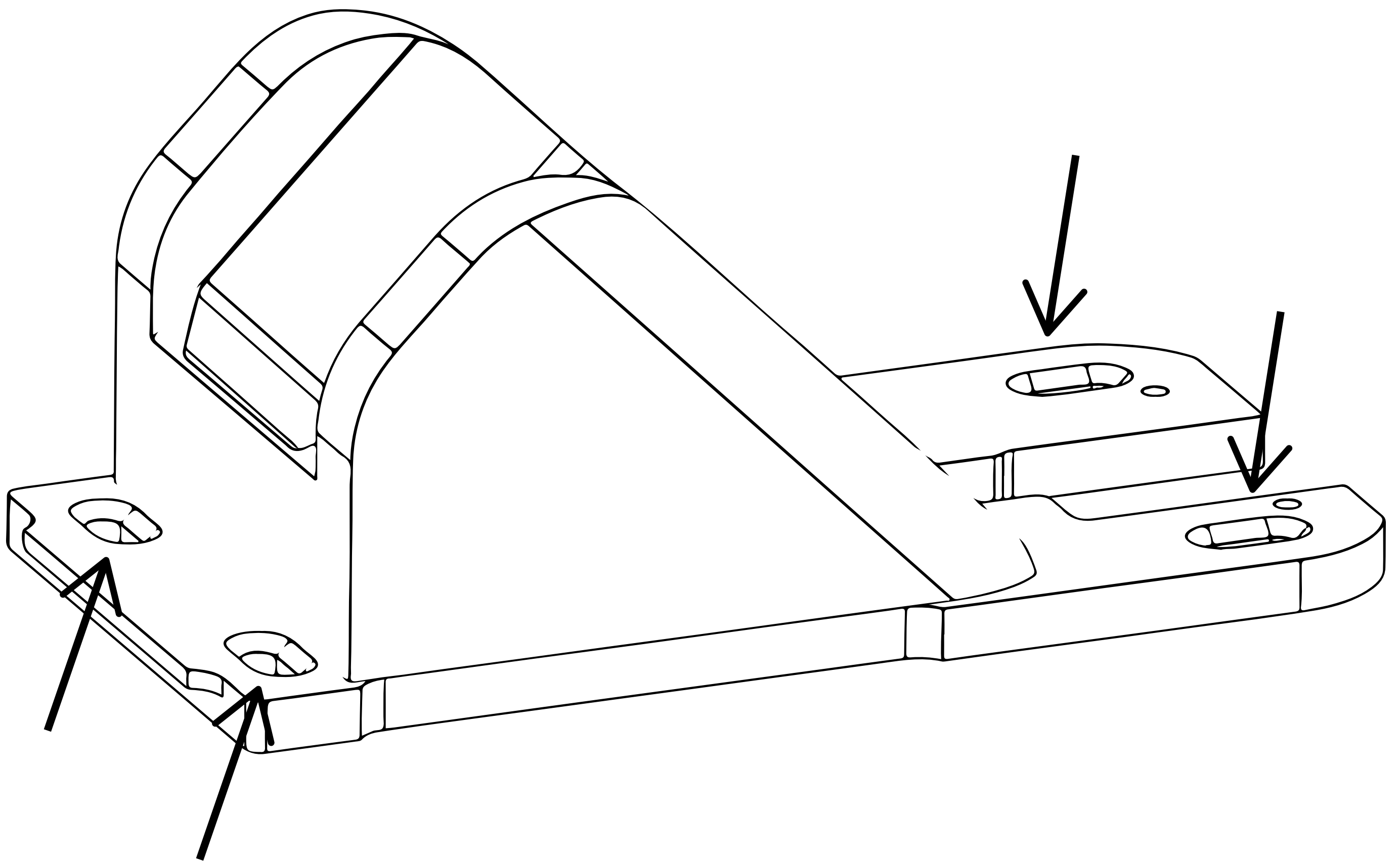
- 3. Tilt the BaseStation forward to allow the BaseStation Weight to come out of the bottom of the BaseStation.**

Use Caution as the BaseStation Weight is very heavy.



BASESTATION

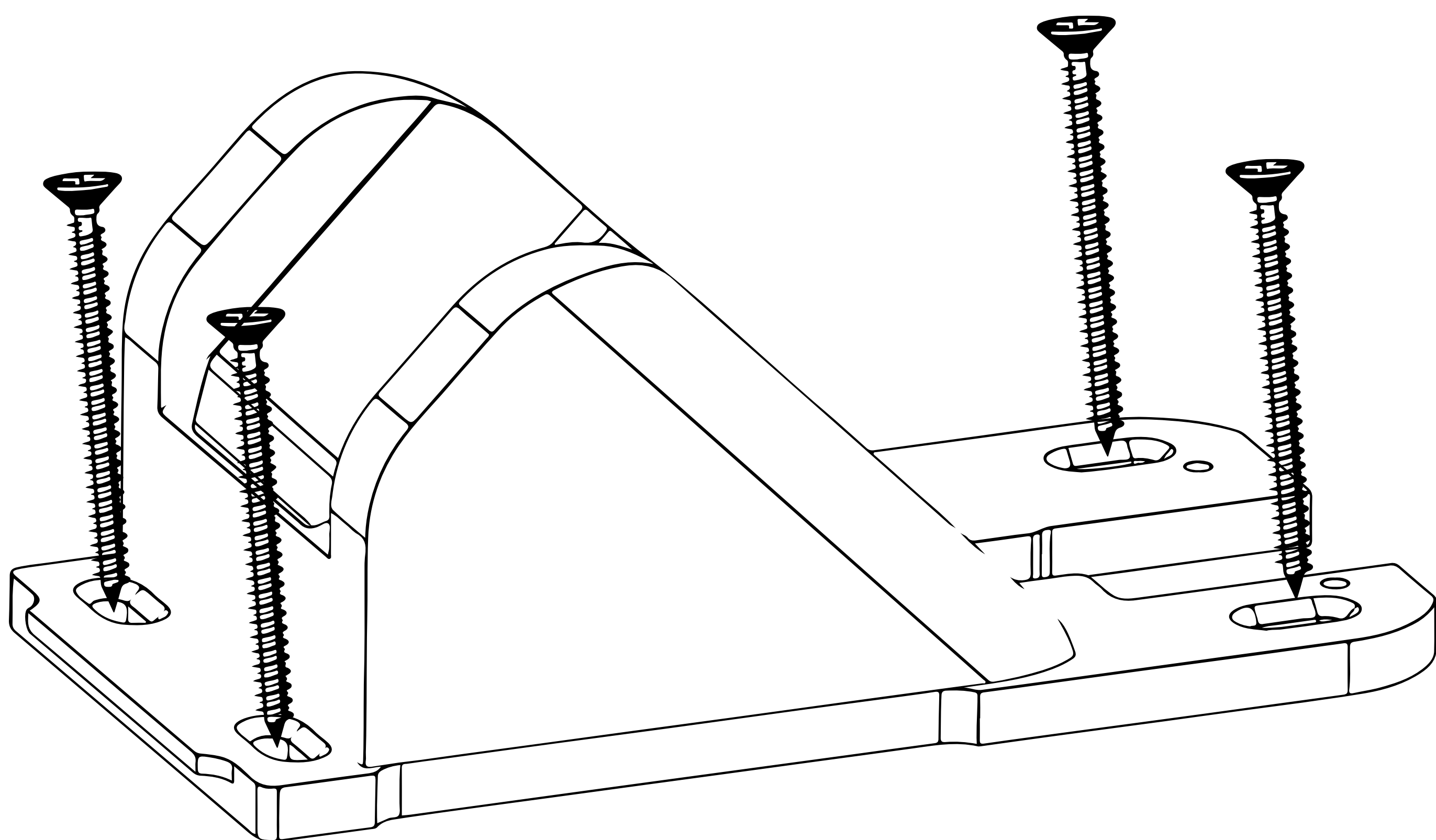
- 4. Place the BaseStation Weight in the desired location for securing the BaseStation. Use a pencil to mark the four mounting locations. Make sure the rectangle notch is facing where the back of the BaseStation will be positioned.**



- 5. Remove the BaseStation Weight and drill a pilot hole in the center of the marked locations.**

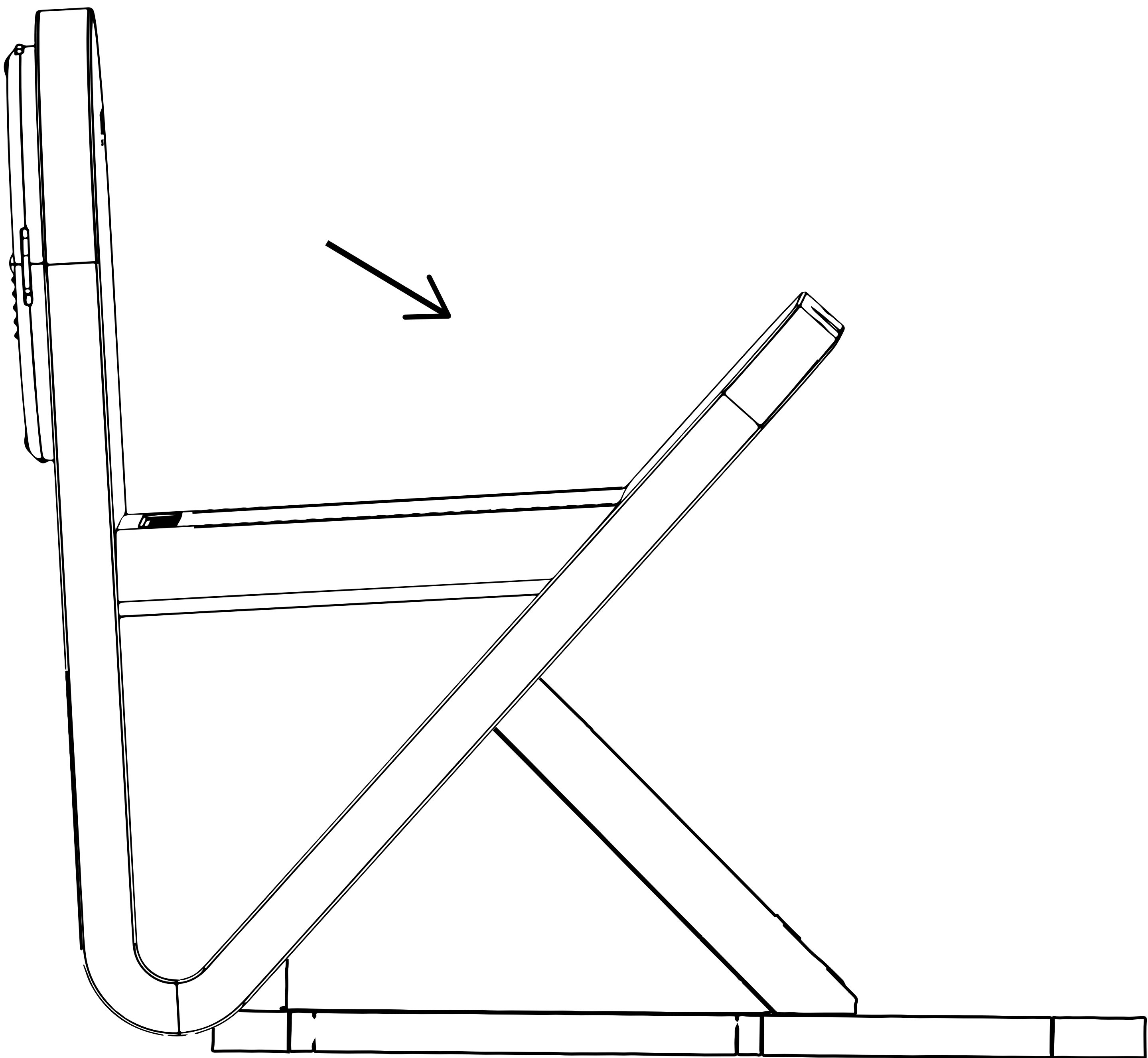
BASESTATION

6. Use the four provided screws to secure the BaseStation Weight to the desired surface.



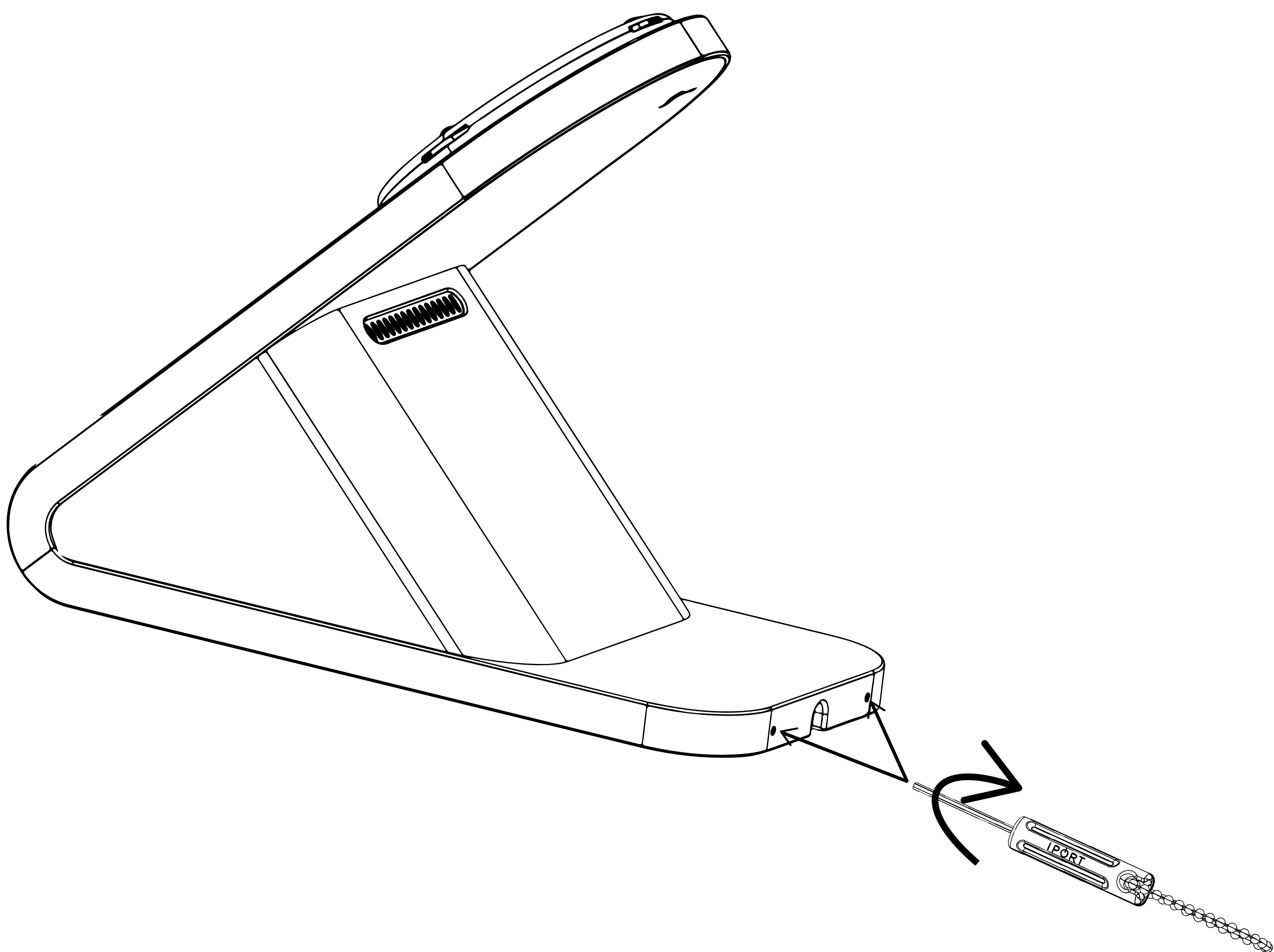
BASESTATION

- 7. Reinstall the BaseStation by hooking the front of the BaseStation foot to the front of the BaseStation weight and then placing the back of the BaseStation down on the weight.**



BASESTATION

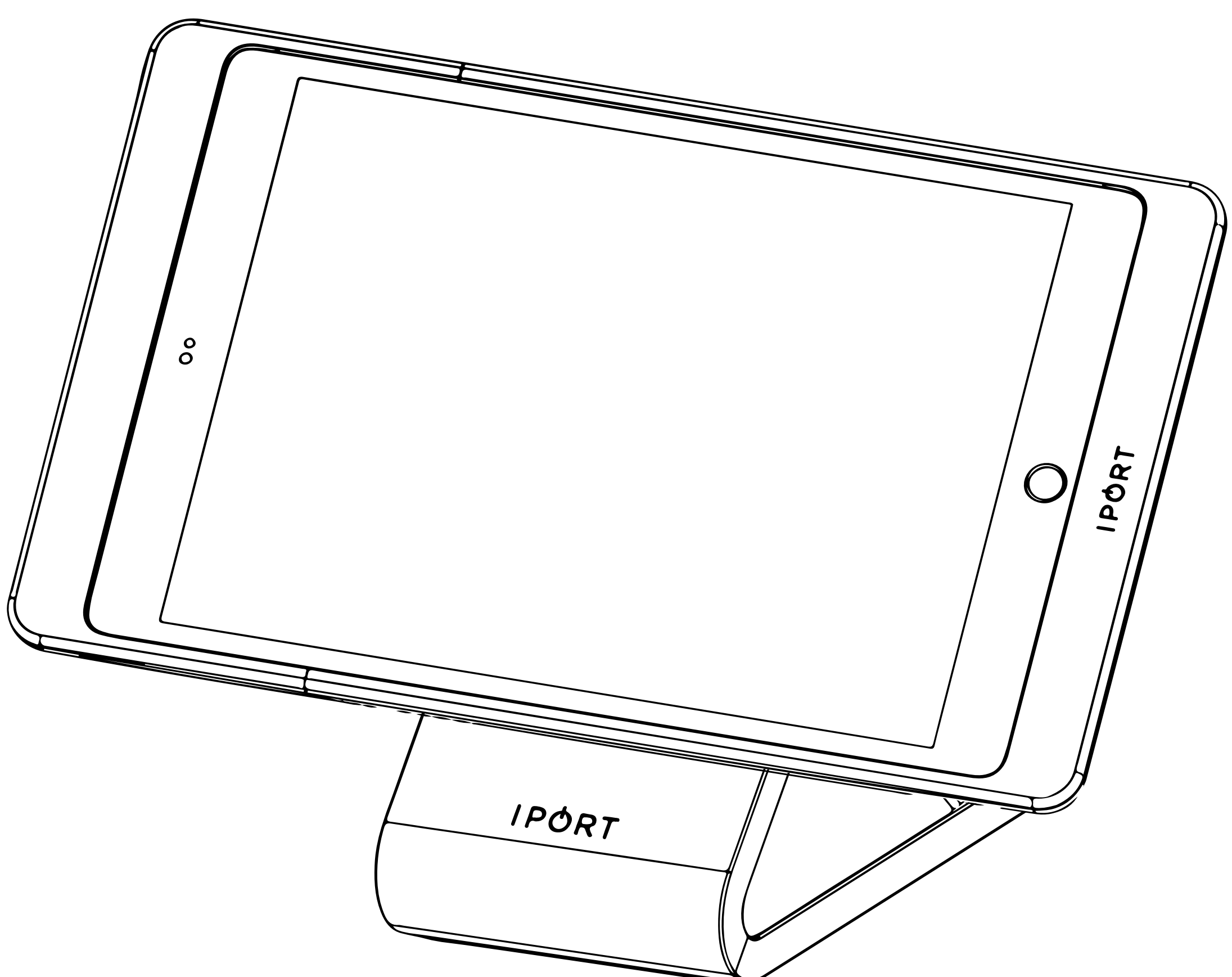
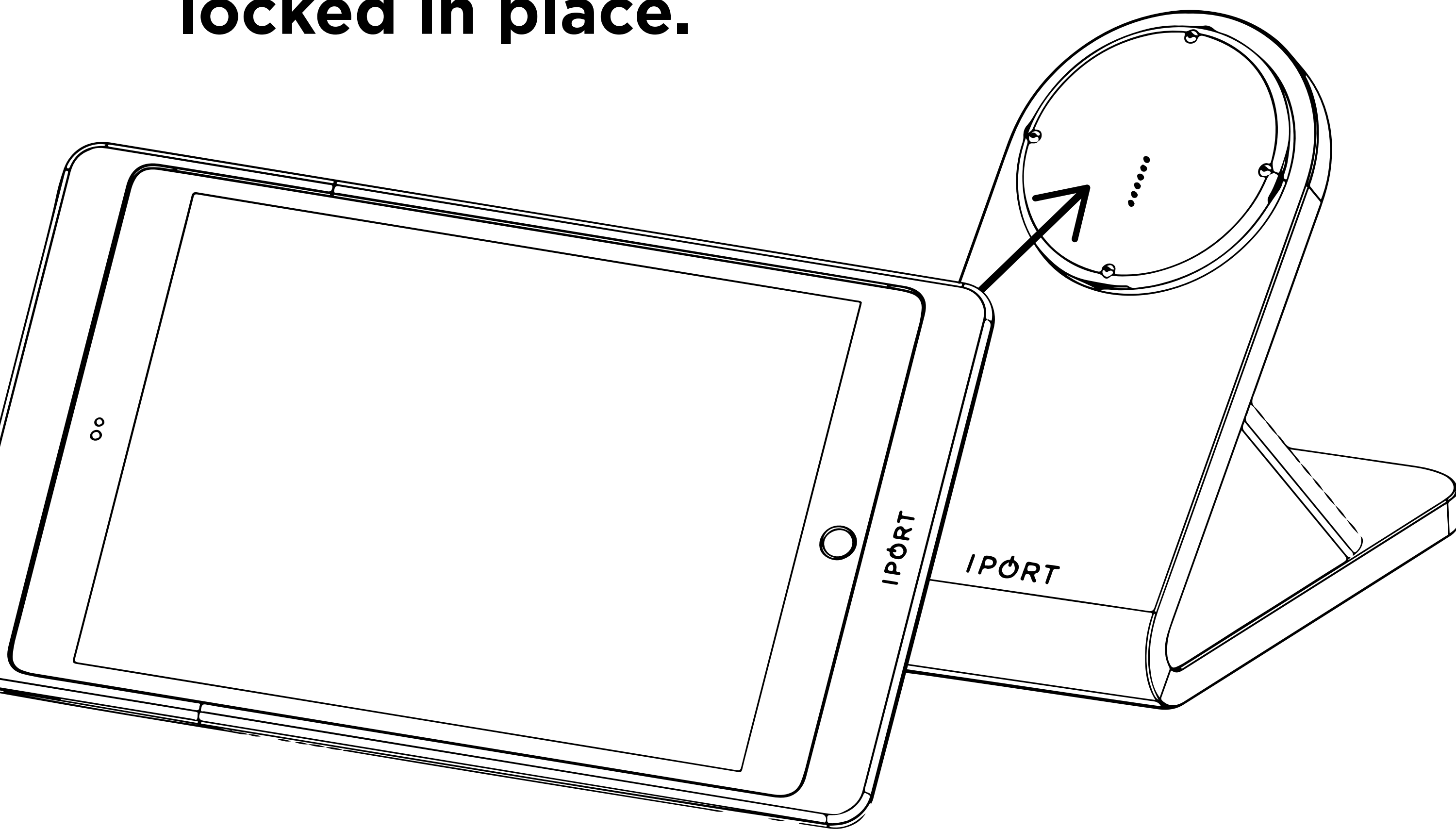
- 8. Insert the IPORT Security Tool into the small holes in the back of the BaseStation foot. Rotate the tool Clockwise until it stops. Repeat for the second hole.**



BASESTATION

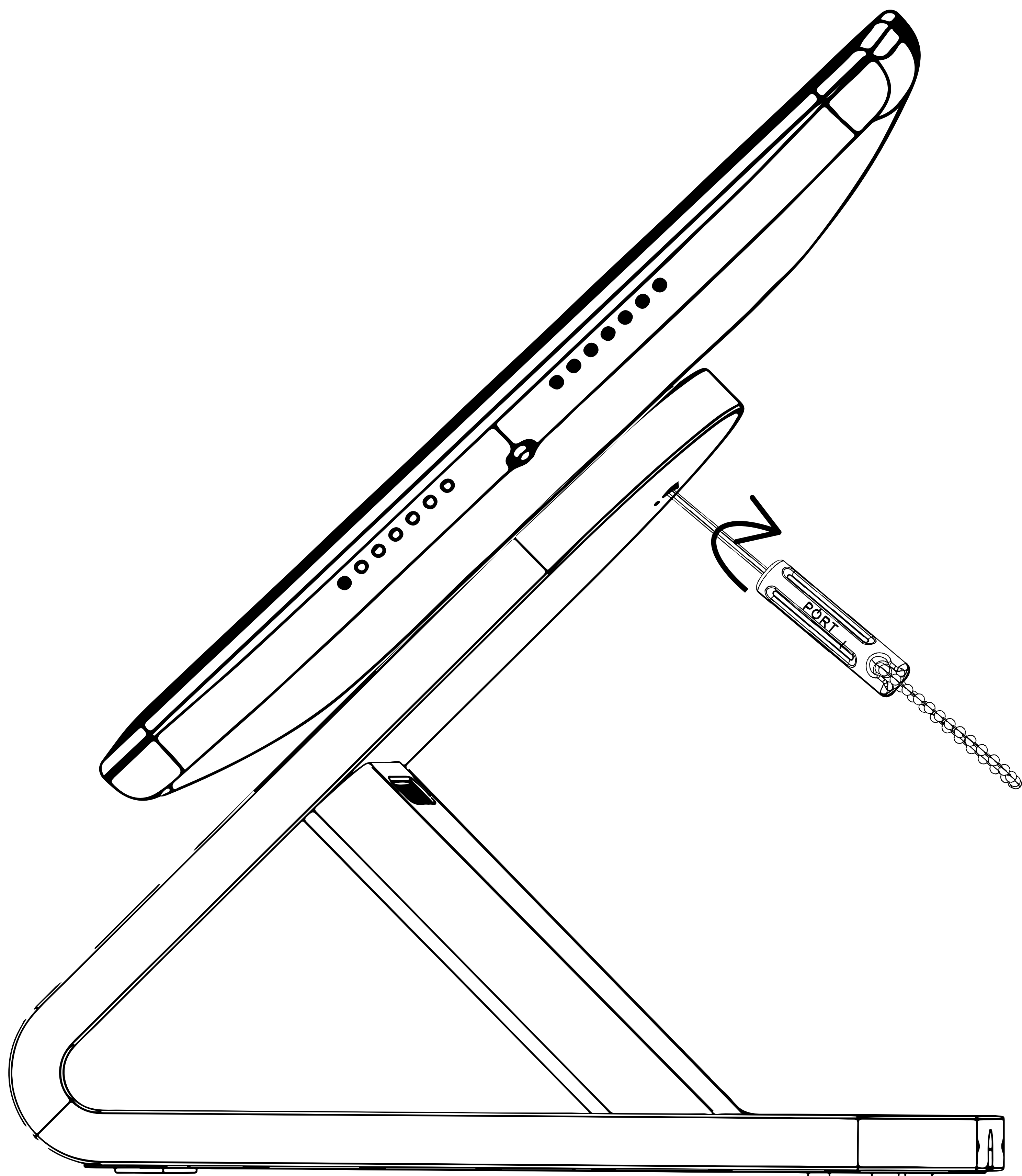
BaseStation Security Features - Securing the Case to the BaseStation.

- 1. Place the Case onto the BaseStation in the final orientation desired (Portrait or Landscape) NOTE the case can not be rotated once it is locked in place.**



BASESTATION

- 2. To lock the Case to the BaseStation, insert the IPORT Security tool into the back of the BaseStation and rotate the tool clockwise with the red indicator facing the Lock icon.**



BASESTATION

- 2. To unlock the Case from the BaseStation, insert the IPORT Security tool into the back of the BaseStation and rotate the tool counterclockwise with the red indicator facing the Unlock icon.**

